



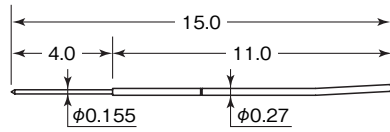
# PTP-65 SERIES

- Full Stroke 1.5mm
- Recommended Working Stroke 1.0mm
- Electrical Current Rating 7A

PTPCH

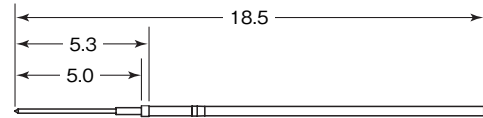
0.50mm  
20mil

## PROBE SPECIFICATIONS



## ASSEMBLED DIAGRAM

Example: Probe PTP-65C1  
Socket PTF-650

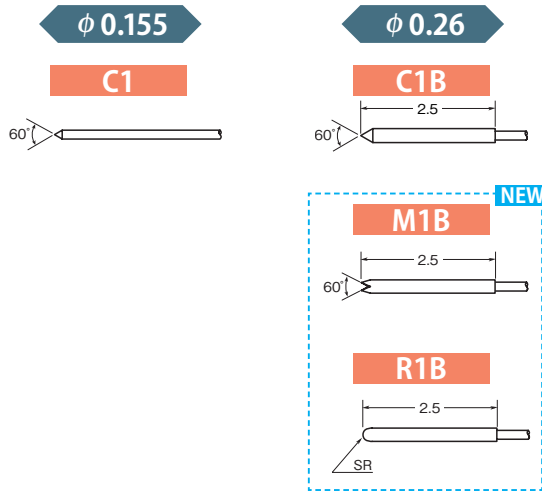


**PRODUCT NAME PTP-65** ● - ▲ **GA** (Material) Plunger = Tool Steel/Gold Plating  
Spring = Piano Wire/Gold Plating  
Barrel = Phosphorous Bronze/Precious Metal Clad

● **Tip Shapes**  
Please select from the following diagrams :

▲ **Spring Force**  
[Initial Load : Load at 2/3 stroke]  
1 = [0.09 (9) : 0.18N (19gf)]

## ● TIP SHAPES



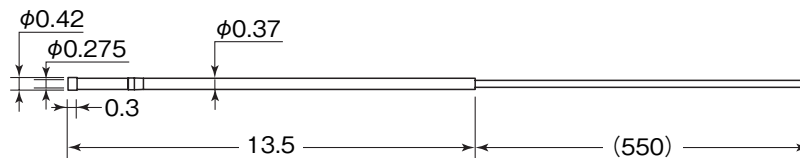
## SOCKET SPECIFICATIONS

Material : Brass/Gold Plating

### PRODUCT NAME

**PTF-650-2UEW020**

Socket with Lead Wire



(Dimensions : mm)

**Note** \* Other models are available. Please contact us for details.  
\* The above specifications are subject to change without notice.